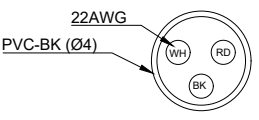
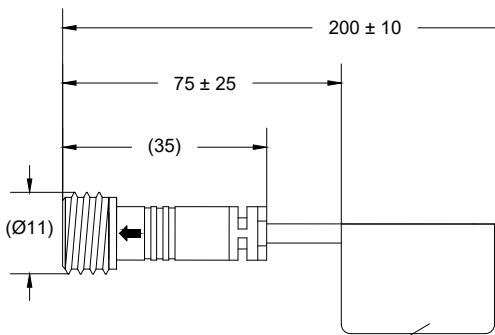
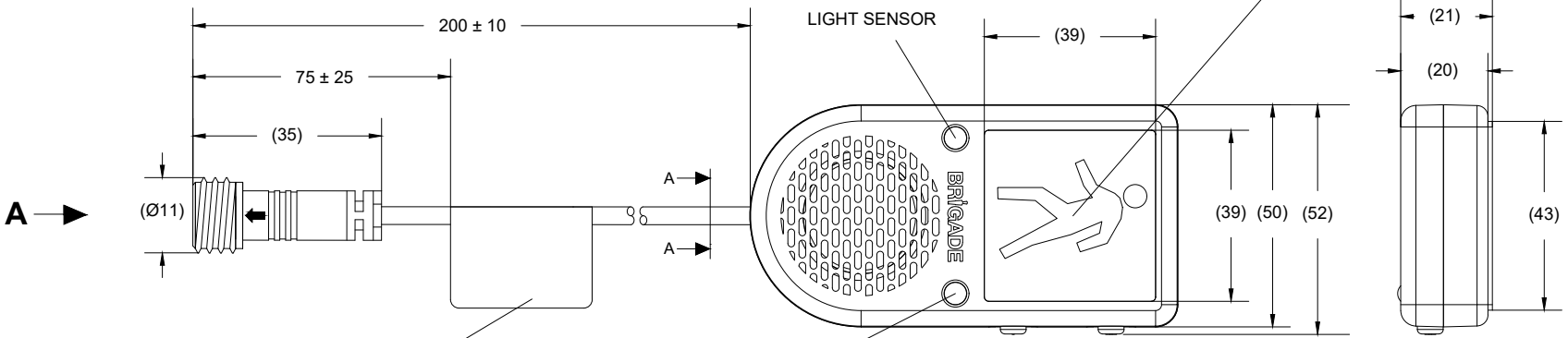
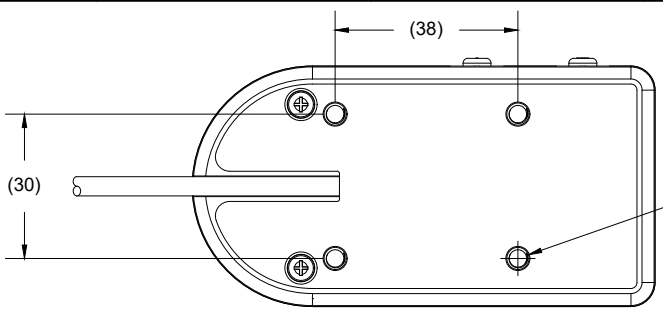
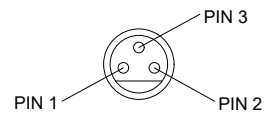


Revision Notes				
R1 -				
APA: -	Drawn:-	Checked:-	Approved:-	Date: -



VIEW A



3 PIN FEMALE MATING FACE

PIN #	WIRE COLOUR	DESCRIPTION
1	BLACK	GND
2	RED	12V
3	WHITE	SIGNAL

- NOTES:**
- SOFTWARE VERSION: SW-P1375-MCU1-01-00.HEX, TO BE PREINSTALLED DURING MANUFACTURE.
 - TRI-COLOUR (G,Y,R) LED INDICATES SYSTEM STATUS. REFER TO THE SYSTEM MANUAL FOR MORE INFORMATION.
 - WARNING DISPLAY ILLUMINATION COLOUR: RED / YELLOW. REFER TO THE SYSTEM MANUAL FOR MORE INFORMATION.
 - VOLUME CONTROL ADJUSTS THE SOUND LEVEL. MIN. 70dB±5dB / MAX 90dB±5dB @10CM.
 - IT IS NOT POSSIBLE TO DISABLE AUDIO WARNING ALTOGETHER.
 - SELF ADHESIVE PAD SHOULD BE STUCK ON THE REAR FOR FIXING TO SMOOTH SURFACE.
 - HOUSING MATERIAL IS ABS PLASTIC.
 - FINISH: BLACK COLOUR WITH SOFT TOUCH PAINT.
 - FOR PACKAGING & LABELING DETAIL REFER TO THE LATEST REVISION OF THE MASTER BOM.
 - BRIGADE LOGO IS WHITE SILK SCREEN.

DOUBLE SIDED ADHESIVE PAD (NOT PRE-INSTALLED)

Assembly Pl Approval A.YAO	Approved by R. PENTLEY	Checked by J. STEWART	Drawn by S.GOVENDER
Angle of Projection	Units mm	Scale N/A	Released 19/10/20
Third Angle	Status RELEASED	Assembly Ref SSP-1000-DPP-D	
	Part No 6160	BE-004408-00-20	

PROPRIETARY NOTICE
THIS DESIGN AND TECHNICAL INFORMATION APPEARING ON THIS DRAWING IS THE PROPERTY OF BRIGADE ELECTRONICS, AND IS DISCLOSED IN CONFIDENCE. IT IS NOT TO BE COPIED, REPRODUCED, REVEALED TO OR EXPROPRIATED BY OTHERS, EITHER IN WHOLE OR IN PART WITHOUT THE EXPRESS WRITTEN CONSENT OF BRIGADE ELECTRONICS.

